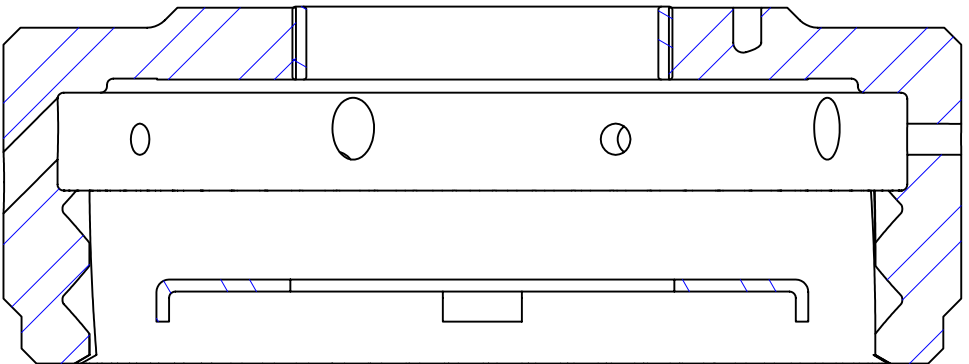
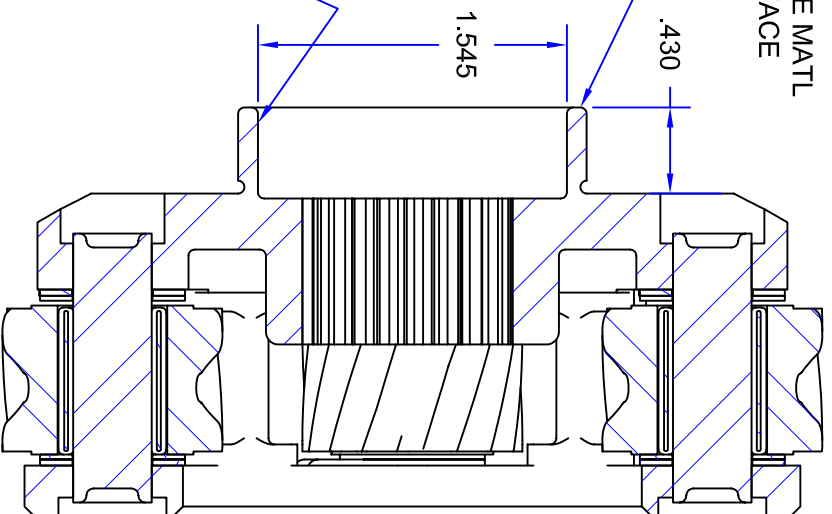


INSTALL SUPPLIED BEARING  
WITH ID CHAMFER TOWARDS DRUM



REMOVE MATL  
FROM FACE



MACHINE OUTPUT CARRIER AS SHOWN  
TO BE USED WITH COA-32813 & COA-32814  
ALUMINUM FORWARD DRUM NOT REQ'D FOR  
COA-32812